

Overview

Specially designed for breakfast, tea & coffee service. An attractive, easy to manoeuvre and compact trolley service with space for everything required. Perfect for aged care facilities and hospitals.

The mobile ward service trolley allows beverages, refreshments, and light meals to be served to patients and visitors at the bed side or in lounges and other communal areas. Great for use in busy hospitals retirement homes and various other types of healthcare facilities.

Push pull handles at each end and the simple layout facilitates easy positioning and set up. Very easy to use and keep clean, a practical hygienic and versatile design with a wide range of options and features, multiple drawers and runners, for holding baskets pans and ingredient containers etc. Crockery cutlery and condiments carried on board.



“Tea and Toast it’s a Tradition”

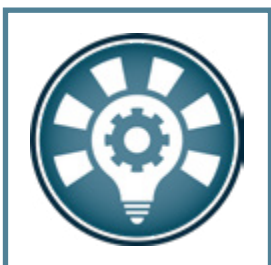


Key Features:

- Provides an attractive & efficient solution for a mobile hot beverage service.
- Easy to keep clean.
- Light and easy to manoeuvre with push pull handles at each end.
- Corner bumper protection.
- Solid stainless steel top set at 900mm from floor level.
- Robust and ergonomic shroud with lockable lid.
- Integral double socket for the water boiler and toast warmer.
- Complete with a 2m long 13amp safety break away cable and plug.
- Mains cable safety breaker.
(If the trolley is accidentally push away while still plugged into the power socket, the cable will simply pull apart eliminating damage and down time.)
- 10ltr water boiler with drip tray.
- 4 off Ingredient dispensers [coffee sugar etc.].
- Fully extendible top drawer with six lift out plastic containers ideal for tea bags and condiments.
- Lockable top drawers complete with a 4-section cutlery box.
- Lockable second drawer complete with 4 off cereal containers.
- Waste bin with chute.
- Discreet pan located in base for cleaning cloth / spray.
- Three dish wash baskets [500mm sq type] on fully extendible runners.
- Castors all swivel and two are fitted with brakes.
- Goose wing grey durable plastic-coated steel outer panels.

Options:

- **TW1:** 30 slice Toast warmer
- **TW2:** 45 slice Toast warmer
- **BES:** Fold down end shelf:

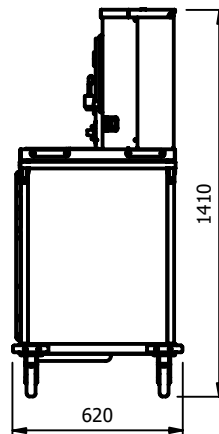
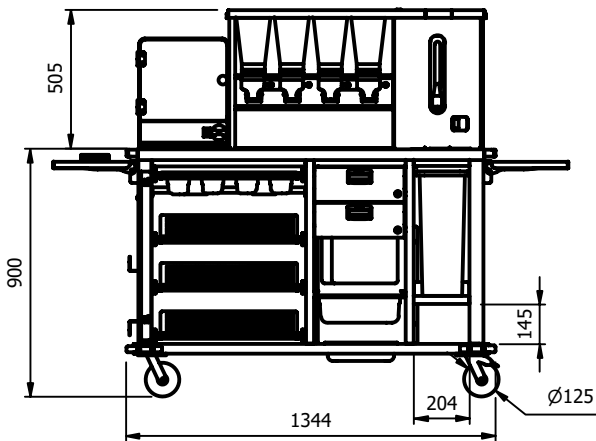
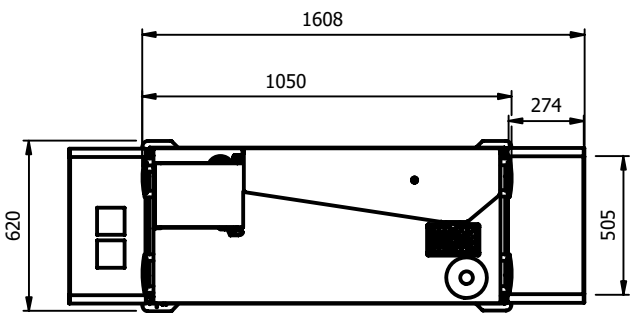




BBTX
Shown with optional toast warmer, model TW1
and optional end shelves BES

Model	Weight (kg)	L x D x H (mm)	Height to worktop	Power Rating/ Electrical supply	Power Rating with Toast Warmer
BBTX	115	1344 x 620 x 1410	900mm	2.5kw / 13amp	2.8kw / 13amp

NOTE:
The stop, start / push, pull force required when fully loaded is 10kg
The force required to keep the trolley in motion is 2kg



E&R Moffat Ltd.
Bonnybridge
FK4 2BS
Scotland

Find us on:



www.ermoffat.co.uk
+44 (0) 1324 812272
sales@ermoffat.co.uk